

LED driver for LEDe modules

Enhance the flexibility and versatility of your LED setup with COBe LED Driver. Easily connect various LED modules to the same driver and position the LED emission source anywhere you desire. This LED driver comes equipped with manual and external PWM signal adjustment options, providing great stability and a robust design for all your LED needs.

COBe is an indispensable LED driver that delivers optimal power to your LED with ease. It is suitable for use in optics, chemistry, biology, and any other application that requires precise and flexible control over LED lighting.



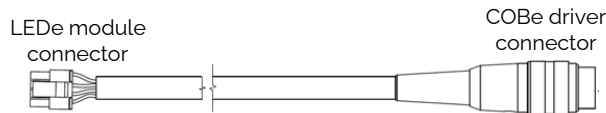
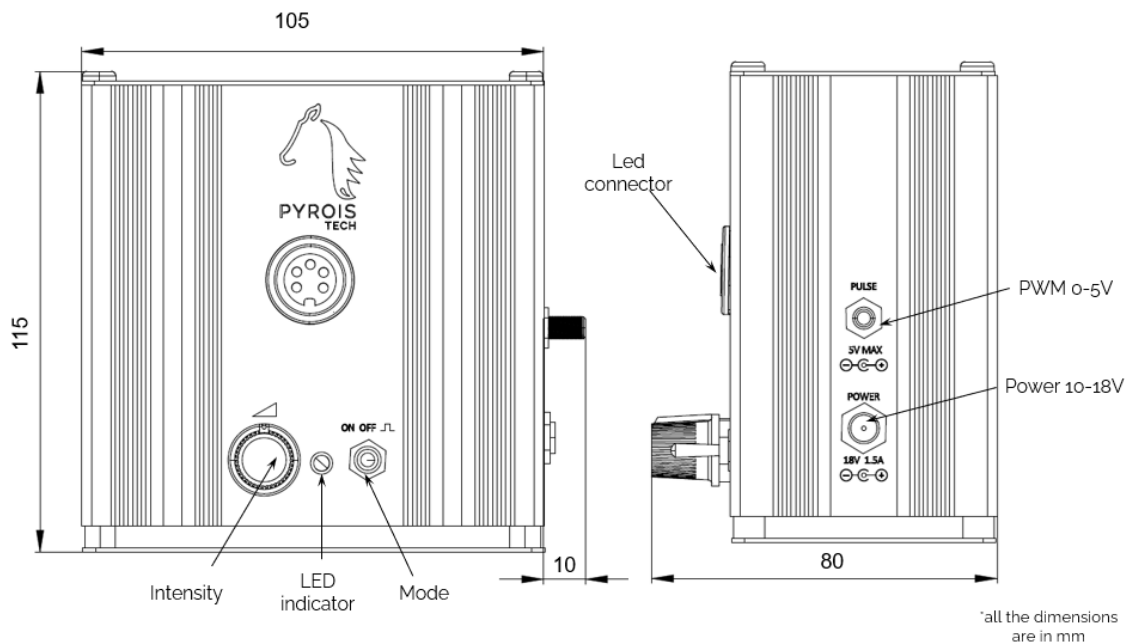
Characteristics

Electrical characteristics		
Power input (1)	Input Voltage	10-18 V
	Input Current	1A max
	Connector type	DC female 2.1mm
Signal input for pulse mode	Input Voltage	5V
	Input Current	5mA typ.
	Connector type	SMA female

(1) AC/DC adapter is included with the source. Input 100-240V 50-60Hz.

Other characteristics	
Working Temperature	0-50°C
Humidity	<80% HR
Equipment Surface Temperature	40°C
Stabilization time	25 min typ.
Size	10.5x11.5x8cm
Weight	500 g

COBe



Connector cable included (1.8m).

Operation Mode

The COBe includes two controls on the front. The MODE switch on the right sets the operation mode between ON (left), OFF (center) and PULSED (right).

The left knob controls the intensity in ON mode (switch on the left position). The intensity can be adjusted between 20% (fully counter-clockwise) and 100% (fully clockwise) of maximum intensity.

In PULSED mode (switch on the right position), the intensity can be controlled using a PWM (Pulse width modulation) signal through the PWM input connector on the right side of the case. The intensity can be adjusted between 0% and 100% of maximum intensity changing the duty cycle of the PWM signal.

The PWM signal must vary between 0 and 5 V. Voltages out of this range can damage the PWM input and disable the PWM mode. Voltages below 1.5 V will be recognized as low level while tensions above 2.8 V will be considered high level.

Safety Notes

- Do not remove or modify any installed safety device on this equipment. Doing so will void your warranty and create an unsafe operating environment.
- Dangerous currents are present in this device. There are NO user serviceable parts inside.
- Only allow qualified personnel to service this unit.
- Inspect this unit and its power supply before using it for the first time.
- Do not use the unit if it is damaged in any way. Contact your dealer for repair or replacement information.
- During operation do not cover the source or obstruct the air flow for its refrigeration.

COBe drivers according to maximum current - IF(A)

COBe-0.15

IF(A)=0.15 LEDe modules

Reference	λ (nm)
LEDe-270	270
LEDe-280	280

COBe-0.5

IF(A)=0.5 LEDe Modules.

Reference	λ (nm)
LEDe -ex White	-

COBe-0.6

IF(A)=0.6 LEDe Modules.

Reference	λ (nm)
LEDe -310	310

COBe-1

IF(A)=1 LEDe Modules.

Reference	λ (nm)
LEDe-365	365
LEDe-385	385
LEDe -395	395
LEDe -405	405
LEDe -1050	1050
LEDe-3000 White	-

COBe-1.2

IF(A)=1.2 LEDe Modules.

Reference	λ (nm)
LEDe -460	460
LEDe -590	590
LEDe -660	660
LEDe -740	740
LEDe -840	840
LEDe -940	940
LEDe -6500 White	-

COBe-1.5

IF(A)=1.5 LEDe Modules.

Reference	λ (nm)
LEDe -457	457
LEDe-527	523
LEDe -623	623