

FJORD-X2-1330-1550



Broadband multi SLED Light Source

FJORD broadband light source covers the NIR spectrum from 1200 to 1600 nm by means of the combination of two SLED (Superluminescent Light Emitting Diode) and delivers high output power into single mode fibers. Temperature control enables reduced stabilization time and stable output power.

Its compact, silent and sturdy design allows its integration in whatever type of application, covering a wide range of possibilities, from optical laboratories, fiber optics testing, Bragg grating interrogation, tomography, or industrial sensors among others.



Characteristics

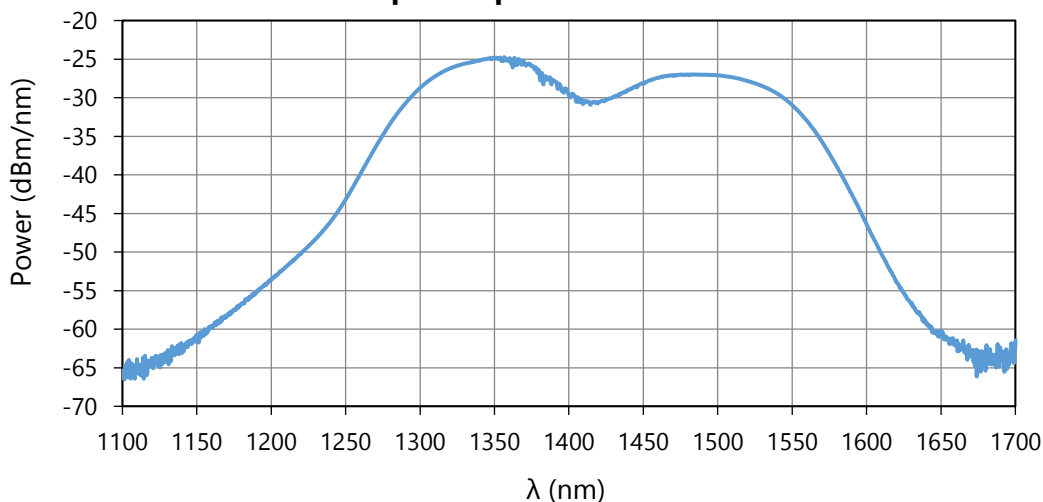
Electrical characteristics		
Power input (1)	Input Voltage	5 V
	Input Current	2 A max
	Connector type	DC female 2.1 mm

(1) AC/DC adapter is included with the source. Input 100-240V 50-60Hz.

Optical characteristics	
Output connector	FC/APC or FC/PC
Peak wavelength	1330 – 1550 nm
Spectral range FWHM	215nm

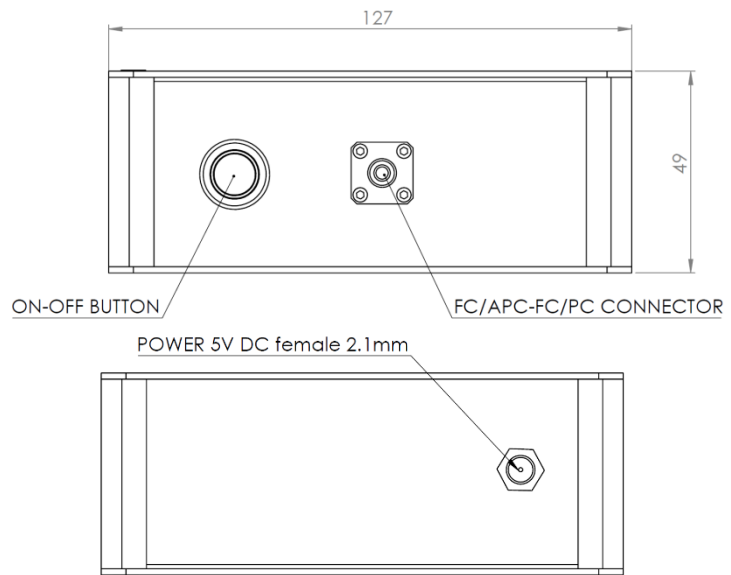
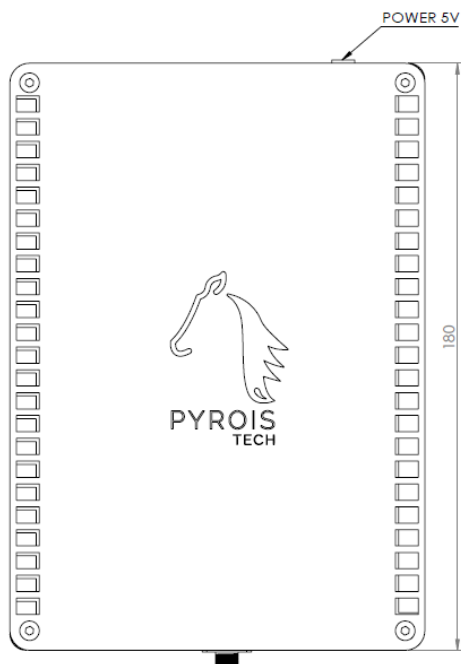
Other characteristics	
Working Temperature	0 – 50 °C
Humidity	<80 % HR
Cooling	Air cooling (no fan)
Temperature control	±0.1 °C
Stabilization time	1 min typ.
Size	127 x 49 x 180 mm

Spectral power distribution ⁽²⁾



(2) Measured with a single mode fiber (Corning© SMF-28) and an Optical Spectrum Analyzer (Anritsu MS9740A)

FJORD-X2-1330-1550



*all the dimensions are in mm

Operation Mode

Connect a proper power source (included with the light source) prior to operation.

The light source has an On/Off power button. Push the button to turn the light source on (a green light will shine the power button when the light source is on). Wait for 2-3 minutes before using it, in order to allow temperature stabilization of the SLED modules.

Press the On/Off button to turn off the light source.

Cover the fiber optic output with a cap when the light source is not in use to prevent dust and dirt from getting inside the connector.

Safety Notes

- Do not remove or modify any installed safety device on this equipment. Doing so will void your warranty and create an unsafe operating environment.
- Dangerous currents are present in this device. There are NO user serviceable parts inside.
- Only allow qualified personnel to service this unit.
- Inspect this unit and its power supply before using it for the first time.
- Do not use the unit if it is damaged in any way. Contact your dealer for repair or replacement information.
- During operation do not cover the source.
- Optical radiation can damage your eyes. Do not stare directly at the light source output.
- Electrostatic discharge can harm inside parts of the source. Take precautions to prevent ESD.



Laser classification

This light source is associated with class 3R according to the norm IEC 60825-1. Do not look or stare directly into the fiber connector output, invisible radiation can harm the users' eyes.